

Monarch-PE

Industrial Kiosk



Monarch-PE is our powerful x86-based Monarch computer housed in a stainless steel enclosure that protects the device from abuse, dust, and moisture. The stainless steel enclosure, impervious to virtually any solvent, in addition to the antimicrobial touchscreen, makes the Monarch-PE a very sanitary, yet durable device for very harsh environments. The antimicrobial screen protector is also beneficial for inhibiting the growth and spread of potentially harmful microorganisms. The screen protector is made with an oleophobic coating that makes removing fingerprints an easy process.



Price Verification



Wayfinding



Loyalty Programs



Stock Check



Time Clock



Gift Registry

Features	Benefits
Antimicrobial Touchscreen	Along with the stainless steel enclosure, the touchscreen display is also fitted with an antimicrobial screen protector that inhibits the growth and spread of possibly harmful microorganisms. For more detailed information please view the Antimicrobial Screen Protector Data Sheet.
Integrated Barcode Scanner	The integrated barcode scanner, equipped with a 2D Imager, facilitates "non-contact" scanning of employee ID cards, driver's licenses, or any barcode medium.
High Performance Architecture	The Monarch-PE features an x86 based system available in Windows 10 or Android and can be powered on a Power-over-Ethernet equipped wired network, eliminating the need to position near a power outlet. The optional 5V power supply (PWR-7035) can be mounted inside the stainless steel enclosure.
Use Stronger Cleaning Solvents	Now more than ever we have a heightened responsibility to adhere to strict sanitation guidelines to prevent the spread of communicable diseases through commonly shared devices. Unfortunately, most user interface devices housed in plastic weren't designed to withstand the harshness of solvents required to remove dangerous bacteria and viral germs. The Monarch-PE is housed in a stainless steel enclosure that can withstand virtually any solvent.
Rugged IP53 Rating	Aside from the hygienic advantages of the Monarch-PE, its stainless steel enclosure provides more than adequate protection from abuse or impact, as well as added protection from the ingress of dirt, dust, or moisture.
High Standard Security Measures	From an IT security standpoint, the Monarch-PE is also highly secure as all the communication ports are concealed inside the enclosure. The device is also commercial electrical conduit-ready per National Electric Code (NEC), NFPA 70.

Physical Specifications

Dimensions	409 mm W x 231 mm H x 68 mm D 16" W x 9" H x 2.7 D
Weight	9.15 lbs / 3.2 kg
Display	10.1" LCD, 1280 x 800 resolution IPS Projective Capacitive Multi-touch
Mounting	VESA 200, M8 mount; VESA 100, M4 mount; #10 vertical center mount
Power	5VDC, PoE (802.3af and 802.3at)
I/O Ports	USB 2.0 x 2 RJ45 Gigabit Ethernet with PoE Mini PCI Express HDMI Output
Speaker	Stereo 3W
Scan Engine	2D Imager

Wireless Data Communications

WLAN Optional: 802.11 bgn 2X2
with BT 4.0 Smart Ready

Standard Warranty

AML products are warranted against defects in material and workmanship under normal use and service for a period of one year from the date of purchase. The obligation of AML under this warranty is limited to furnishing labor and materials necessary to return the product to its normal operating condition, or to replace the unit, at AML's discretion, and only on a "return to factory" basis. This limited warranty does not extend to any product, which has been modified, misused, abused, or incorrectly installed. Warranty, also, does not extend to any product that has been repaired or altered by any party other than AML, or has been subjected to unusual physical or electrical stress, negligence or accident. Prior to returning a product for repair, the user must obtain a Return Authorization Number, which must be clearly marked on the outside of the shipping container.

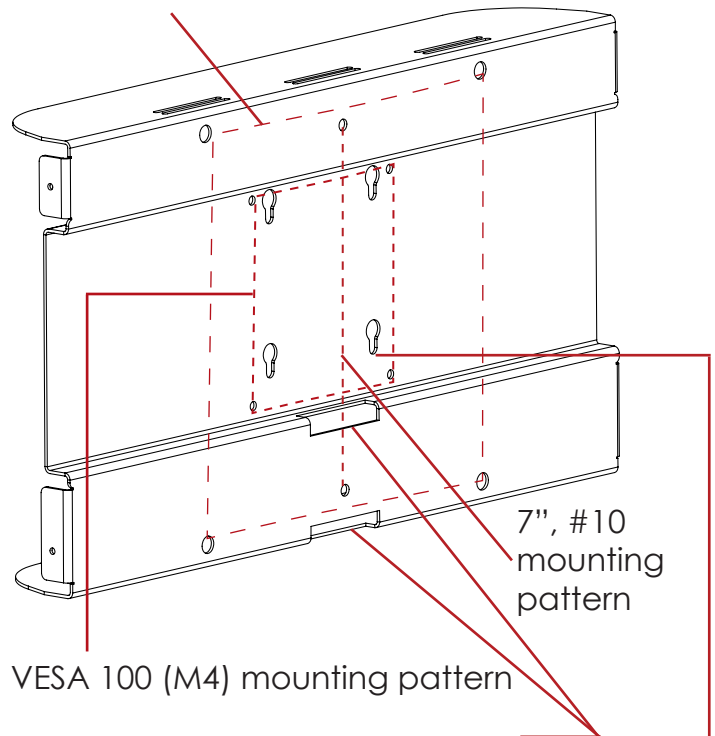
Environmental Specifications

Operating Temp	0° to 40° C / 32° to 104° F
Storage Temp	-20° to 60° C / -4° to 140° F
Humidity	5% to 90% (non-condensing)

Performance Specifications

Processor	Intel® Atom™ E3825 1.33GHz 64-Bit Dual Core Processor
Operating Systems	Windows® 10, Android® 6 (Marshmallow)
Memory (RAM)	2GB DDR3L 1066 MT/s
Internal Storage	30GB mSATA SSD

VESA 200 (M8) mounting pattern



VESA 100 (M4) mounting pattern

Do not use keyholes to secure rear enclosure to mounting surface

Specifications are subject to change without notice. All names and products are the trademarks or registered trademarks of their respective organizations. Windows is a registered trademark of Microsoft Corporation in the United States and other countries.



Corporate Headquarters
2190 Regal Parkway
Euless, Texas 76040

Sales & Customer Service
Tel: 800-648-4452
Fax: 817-685-6232
Email: sales@amltd.com

www.amltd.com
Local: 817-571-9015
Fax: 817-571-6176

Technical Support
Tel: 877-842-3990
Fax: 817-685-6232
Email: support@amltd.com

MADE IN USA
SINCE 1983 ★★★★★



© 2018 American Microsystems, Ltd.