



IS3480 Quantum™E is a compact, omnidirectional bar code scanner ideal for integration with Original Equipment Manufacturer (OEM) devices.

Sunrise 2005 Compliant

IS3480 Quantum™E

Features

- **Fully automatic scanning operation**
- **Easy mounting integration with a unique profile and dual set of mounting holes**
- **Small form factor**
- **Auxiliary connection for external I/O**
- **Sweet-spot mode for ideal mounting location**
- **Single-line mode**
- **Flash upgradeable firmware**
- **User-replaceable, single cable interface to host**
- **OPOS and JPOS system compatible**

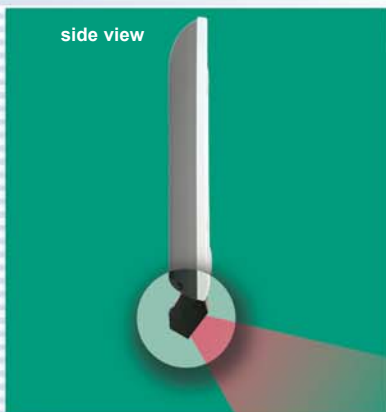
Metrologic's QuantumE is a combination omnidirectional and single-line laser bar code scanner. The omnidirectional scan pattern offers outstanding scan performance on all standard 1D bar code symbologies, including RSS. The button-activated single line mode aids in scanning items that contain multiple bar codes or when selecting bar codes from menu-style price sheets.

QuantumE is designed for integration with a variety of applications including interactive kiosks, price lookup systems, ATM's, reverse vending machines, controlled access, or a host of other Original Equipment Manufacturer (OEM) devices. The scanner's main cable connector is located at the top of the unit to facilitate mounting and the

auxiliary connector gives users access to several of the I/O signals, providing the flexibility for external hookup of the beeper, button, and LED's.

The unique shape of the QuantumE allows the unit to be mounted in slim profile systems, such as a flat screen monitor, and long scan lines provide scanning at the face. In addition, QuantumE features a sweet-spot mode that gives an integrator the ability to determine the best mounting location for optimum scanning in a fixed application. Most importantly, the IS3480 is equipped with powerful and cost saving features such as easy programming, user replaceable cables and upgradeable software that keeps your investment updated with the latest scanning technology.

slim profile...



...ideal for price look up, kiosks and...



...reverse-vending machines



IS3480 Quantum™ E

OPERATIONAL

Light Source	Visible Laser Diode 650 nm
Laser Power	1.1 mW (peak)
Depth of Scan Field (programmable)	25 mm - 279 mm (1" - 11") for 0.33 mm (13 mil) bar code at default setting
Width of Scan Field	38 mm (1.5") @ 25 mm (1"); 153 mm (6") @ 279 mm (11")
Scan Speed	1650 scan lines per second
Scan Pattern	5 fields of 4 parallel lines, omnidirectional; or button activated single line
Number of Scan Lines	20 (omnidirectional); or 1 (single-line)
Minimum Bar Width	0.127 mm (5.0 mil)
Decode Capability	Autodiscriminates all standard 1D bar codes, including RSS-Expanded, RSS-14 and RSS-14 Limited; for other symbologies call Metrologic
System Interfaces	RS232, Light Pen Emulation, Keyboard Wedge, Stand Alone Keyboard, IBM 468x/469x, USB (low speed and full speed), Laser Emulation, OCIA
Print Contrast	35% minimum reflectance difference
Number Characters Read	Up to 80 data characters
Roll, Pitch, Yaw	360°, 60°, 60°
Beeper Operation	7 tones or no beep
Indicators	Blue = laser on, ready to scan White = good read

MECHANICAL

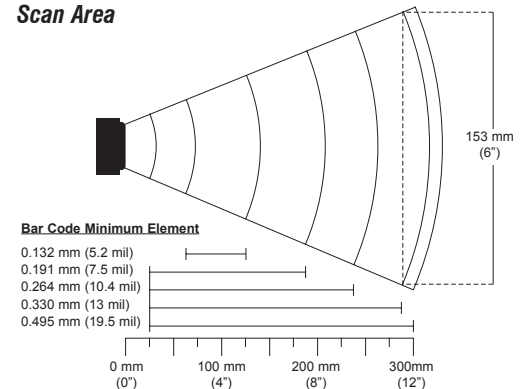
Length	50 mm (1.97")
Width	63 mm (2.48")
Height	68 mm (2.68")
Weight	170 g (6.0 oz)
Termination	10 position modular RJ45 connector
Cable	Standard 2.1 m (7') straight; optional 2.7 m (9') coiled for other cables call Metrologic
Mounting Holes	Five - M2.5 x 0.45 threaded inserts, 4 mm (0.16") maximum depth

ELECTRICAL

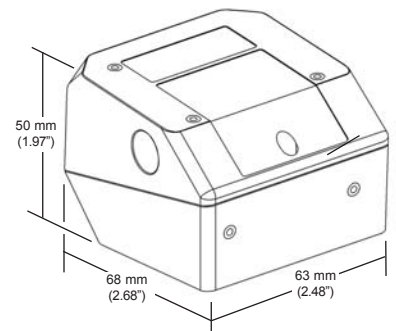
Input Voltage	5 VDC ± 0.25 V
Power	1.825 W
Operating Current	365 mA typical @ 5 VDC
DC Transformers	Class 2; 5.2 VDC @ 650 mA
Laser Class	Class 1; IEC60825-1:1993/A1:1997+A2:2001 Class 1; EN60825-1:1994/A11:1996+A2:2001
EMC	FCC, ICES-003 & EN55022 Class A

Operating	-20°C to 40°C (-4°F to 104°F)
Storage Temperature	-40°C to 60°C (-40°F to 140°F)
Humidity	5% to 95% relative humidity, non-condensing
Light Levels	Up to 4842 Lux (450 footcandles)
Contaminants	Sealed to resist airborne particulate contaminants
Ventilation	None required

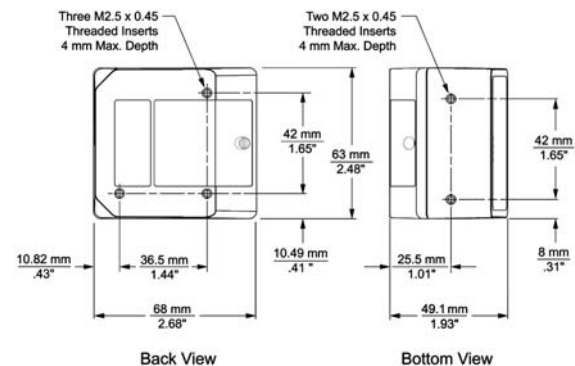
Scan Area



Dimensions



Mounting Holes



Back View

Bottom View



CLASS 1 LASER PRODUCT
APPAREIL A LASER DE CLASSE 1
LASER KLASSE 1 PRODUCT
LASER CLASSE 1 PRODUCTO

Specifications subject to change without notice.
Printed U.S.A., Copyright April 2004
Metrologic, All rights reserved.



www.metrologic.com

USA
Tel. 1.800.ID.METRO
info@metrologic.com

Asia
Tel. 65.6842.7155
info@sg.metrologic.com

South America
Tel. 5511.5182.7273
info@sa.metrologic.com

China (only)
Tel. 86.512.62572511
info@cn.metrologic.com

Japan (only)
Tel. 81.03.3839.8511
info@jp.metrologic.com

Europe
Tel. 49.89.89019.0
info@europe.metrologic.com

Brazil (only)
Tel. 5511.5182.8226
info@br.metrologic.com

Europe
Tel. 49.89.89019.0
info@europe.metrologic.com

ISO 9001:2000

Metrologic Instruments, Inc. | 90 Coles Road | Blackwood, NJ 08012-4683
Telephone 856-228-8100 or 1-800-ID-METRO | Fax 856-228-6673



DS3480



www.logiscenter.com
902 050 030



www.logiscenter.it
02 479 216 97



www.logiscenter.de
info@logiscenter.de



www.logiscenter.pt
308 800 842

About LOGISCENTER

Grupo Logiscenter is the leading provider in Europe of automatic identification and data capture equipments. Our products include barcode printing and reading devices, mobile computing devices, wireless access points, identification cards, and consumables.

Reasons to work with us

Our customers come first. Our objective is not only selling our products but also holding a long-lasting relationship with our customers, based on the benefits and advantages we create for you and your company.

The best brands. We offer products from the best manufacturers worldwide.

Expert technical support team. Our support staff are experts in the products we sell. But not just the products, they can tell you the best solution for your particular problem or need.

Largest stock. We have a permanent stock of more than 12,000 products.

Same-day shipping. For all orders placed and confirmed before 16:00 on working days.

Best prices. With Logiscenter, you can be sure that you are paying a fair price for your products we will not overcharge you.

Easy returns. Damaged or defective products can be returned easily, for an exchange or reimbursement.

Our Brands



MOTOROLA



datamax • o'neil



Solutions for: Industry • Consumer • Mobility Transportation and Logistics • Retail • Health



Label printers



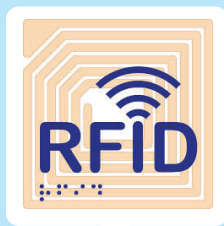
Barcode readers



Data terminals & PDA



PVC card printers



RFID



Consumables
(labels, ribbons, PVC cards)



**All Brands
Technical Service**