

# RDA698/2700

Dipole Antenna  
3G/4G/LTE

# RFMAX



The RDA698/2700 is an RFMAX Hi-Gain Dipole Antenna for 698-2700 MHz 3G/4G/LTE cellular coverage with an articulating knuckle and standard SMA Male Connector. This blade, or paddle style antenna is designed for use with 3G and 4G/LTE cellular modems, access points, routers, gateways and small base station applications. The RDA698/2700 covers all AT&T, Verizon and Sprint legacy 3G bands, plus the 4G/LTE frequency ranges of 698-960/1710-2170/2500-2700 MHz providing omnidirectional radiation with a gain of 2 dBi.

The blade style package offers a right angle swivel provided in black plastic with dimensions of 7.72 inches long x 0.94 inches wide (196mm x 23.8 mm) in the right angle position. It is supplied with an SMA Male connector which mates with Sierra Wireless RV50, RV50x, GX400, GX440, GX450 & LS300 as well as all Cradlepoint modems: IBR350, IBR600, IBR650, IBR600B, IBR900, IBR950, IBR1100 & IBR1150

# RDA698/2700

Dipole Antenna

3G/4G/LTE

# RFMAX



## Features

- 3G-4G/LTE Blade Style DiPole Antenna
- Operates at 698-960/1710-2170/2500-2700 MHz
- Up to 2 dBi High-Gain
- Articulating Knuckle & Standard SMA Male connector
- RoHS Compliant
- Equivalent to: W1905, 1810075, DBA6927C1-FSMAM, 170649-000 and TG.30.8113, 170649-000 & 931-1213-ND

## Product Applications

- 3G/4G/LTE Cellular Modem, Router, Hub, Gateway or Access point
- Small Cellular Base Stations
- Femto Cells
- SOHO Routers
- This is not suitable for 2.4 / 5 GHz WiFi

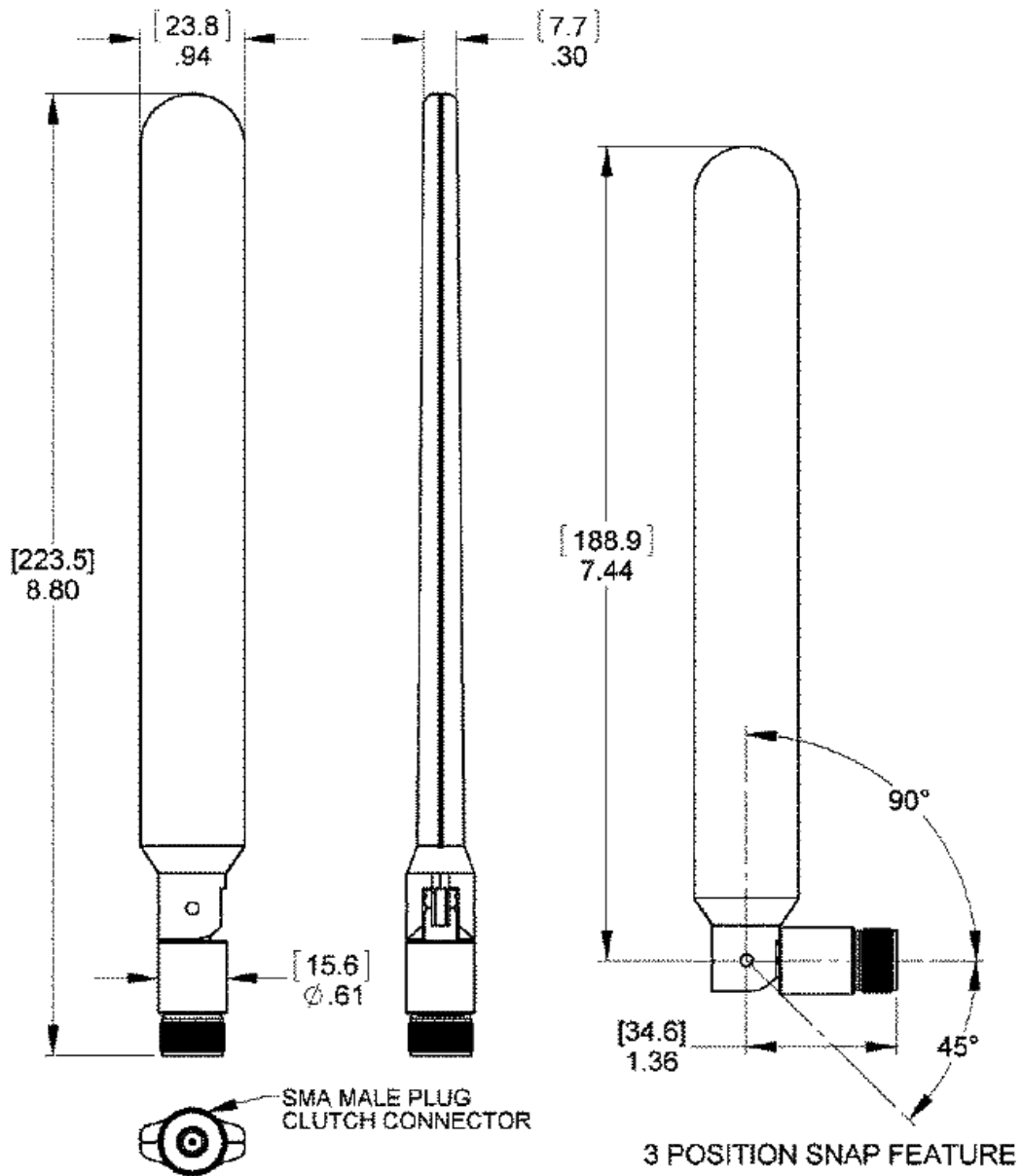
# RDA698/2700

Dipole Antenna

3G/4G/LTE



## Dimensions



All dimensions are in inches (mm)

# RDA698/2700

Dipole Antenna

3G/4G/LTE



## Electrical Specifications

Antenna Part Number	RDA698/2700SSM
Frequency Range [MHz]	698-960/1710-2170/2500-2700
VSWR	2.5:1
Impedance [ $\Omega$ ]	50
Max Power [W]	3
Polarization	Linear Vertical
Connector Type	SMA-Male
Average Peak Gain 700 [dBi]	0.6

## Environmental Specifications

## Mechanical Specifications

Operating Temperature [ $^{\circ}\text{C}$ ]	-30 to +70	Color	Black
Storage Temperature [ $^{\circ}\text{C}$ ]	-40 to +85	Weight [oz./g]	1.66/ 47
Flammability Rating	UL94 V-O	Plastic Radome	9/ 228
Average Peak Gain 1710 [dBi]	1.5	Overall length	8.8 Inches
Average Peak Gain 2500 [dBi]	3.4	<b>Dipole (All electrical performance measured "in free space" )</b>	
HPBW/ Horizontal Plane	Omni		
HPBW/ Vertical Plane 700 [ $^{\circ}\text{TYP}$ ]	57		
HPBW/ Vertical Plane 1710 [ $^{\circ}\text{TYP}$ ]	54		
HPBW/ Vertical Plane 2500 [ $^{\circ}\text{TYP}$ ]	36		



# RDA698/2700

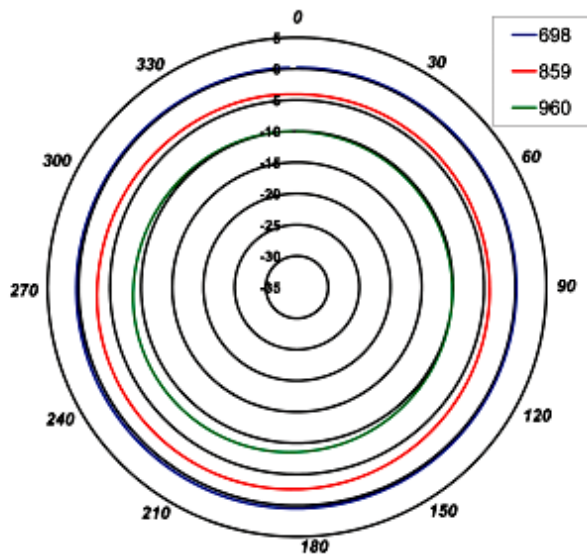
Dipole Antenna

3G/4G/LTE

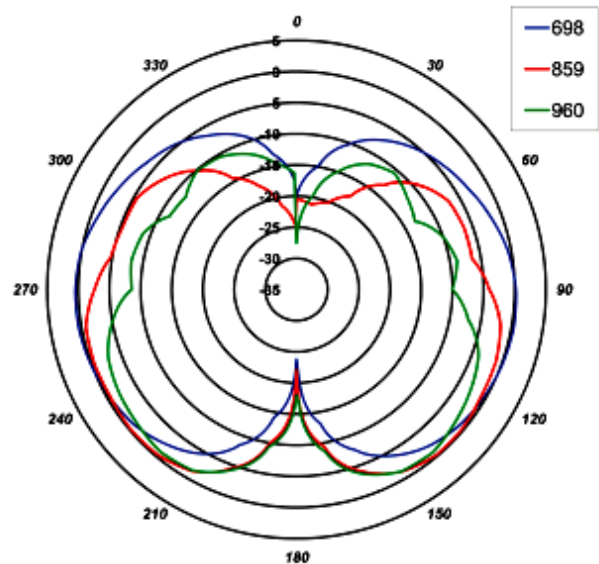


## Radiation Patterns

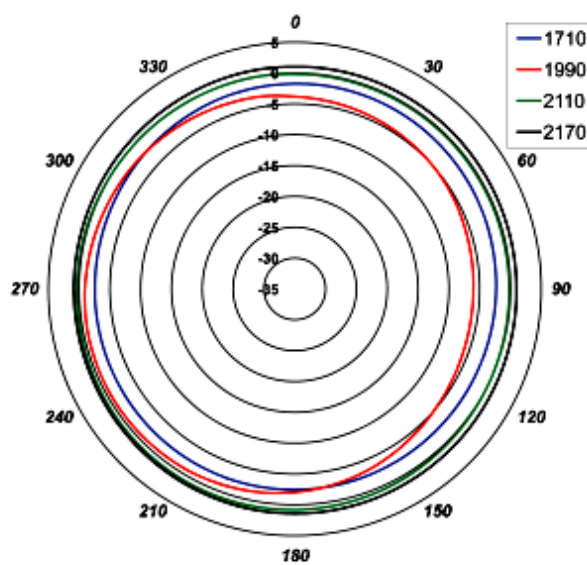
Horizontal Plane (698-960 MHz)



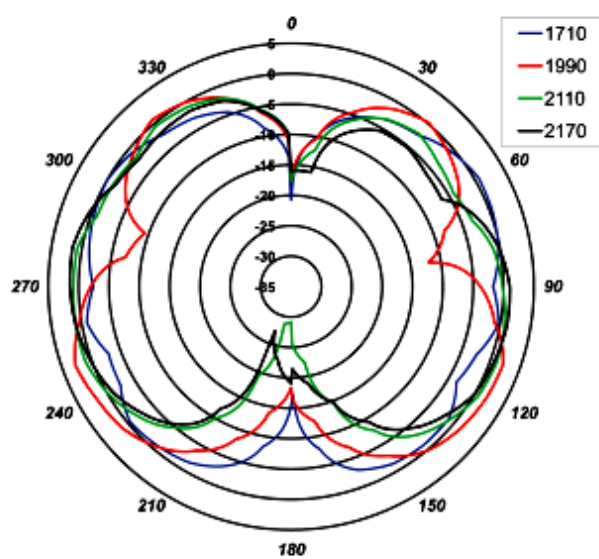
Vertical Plane (698-960 MHz)



Horizontal Plane (1710-2170 MHz)



Vertical Plane (1710-2170 MHz)



# RDA698/2700

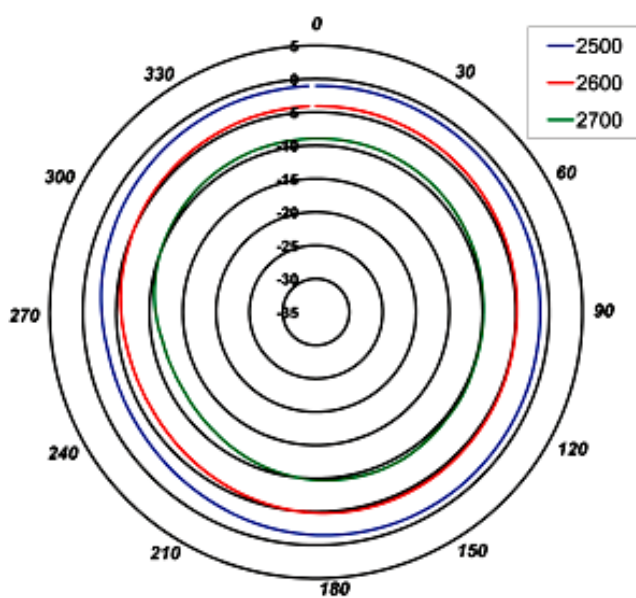
Dipole Antenna

3G/4G/LTE



## Radiation Patterns

Horizontal Plane (2500-2700 MHz)



Vertical Plane (2500-2700 MHz)

