



# Ultra Slim

## Dual LTE MIMO Antenna



**T**he Ultra Slim Antenna is a 4G/LTE MIMO antenna designed for Cellular Wireless gateways and M2M/Industrial IOT. The antenna is purpose built with a rugged low profile molded radome and tamper proof features required for outdoor mounting in the public space. A 3M VHB gasket seals the mounting location from water ingress, bulkhead stud mount provides solid vandal proof mount. A Porex IP rated PTFE vent equalizes pressure, while protecting the housing from water and dust ingress. The narrow profile is ideal for mounting on thin sign housing and displays.

Rev-050923

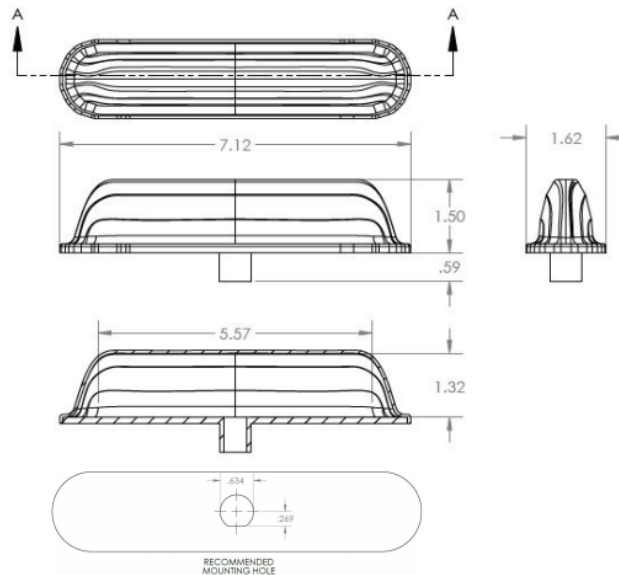


- Low Profile: 1.5"/38mm mounted height
- Rugged construction for fixed and mobile applications
- Threaded Stud + Automotive grade gasket mounting
- Fasteners hidden for tamper proof clean installation
- Assembled in America

### Part Numbers Configurator:

Example of Part Numbers:  
**RFIND-44-3-SS-B**

RFIN	D	G	4	W	3	S	B
Model	Direct/Mag Mount	GPS	#LTE	#WiFi	Coax Length (feet)	Connectors (SMA)	Color (Black/White)



## ELECTRICAL DATA

Frequency Range	Freq 1	690-960 MHz
	Freq 2	1710-2170 MHz
	Freq 3	2300-2700 MHz
Operational Bands	All Frequencies	4G/LTE/Cellular
Average Gain	All Frequencies	1.5 dBi
Directional Pattern	Omnidirectional	
VSWR	2.5:1 and 2.0:1	

Frequency Range	Freq 1	2400 - 2500 MHz
	Freq 2	4900 - 5800 MHz
	Freq 3	5800-6000 MHz
Operational Bands	All Frequencies	WiFi
Typical Gain	All Frequencies	2.5 dBi
Directional Pattern	Omnidirectional	
VSWR	2.5:1 and 2.0:1	

Frequency Range	GNSS 1575 - 1602 MHz
Gain	-1 dBic Passive LNA: 16.5 dB (5VDC)
Pattern Polarization	+/- 60 degree Hemispherical / Right Hand Circular Polarized
Return Loss	<-10 dB
Voltage	1.7-5.2 VDC
Current Draw	6 mA (5VDC)
Noise Figure	2.4 dB (Typical @ 25 C)
Out of Band Rejection	+/- 25 MHz -35dB +/- 35 MHz -50dB +/- 45 MHz -55dB 600-1000 MHz > 60dB 2400-6000 MHz > 60dB

## ENVIRONMENTAL DATA

Hazardous Substances	RoHS Compliant
Temperature	-40°C to 65°C (-40°F to + 149°F) Operating and Storage conformance to IEC 60068
Humidity (Non-Condensing)	5% to 96% Operating and Storage conformance to IEC 60068
Water Ingress	IP67
Military Spec	MIL-STD 810 conformance to vibration

## MOUNTING DATA

Dimensions	Height	1.5" (38.1 mm)
	Width	1.62" (41.1 mm)
	Length	7.12" (180.8 mm)
Weight	0.23 lbs	
Color	Black (B)	

## CABLE DATA

Type	PT195 Low Loss
Diameter	0.195" (4.953 mm)
Length	Variable
Termination	SMA Male/ RP SMA / TNC

