

# NMO Mounts

RFMAX VEHICULAR MOUNTS ARE THE INDUSTRY STANDARD FOR PERFORMANCE AND DURABILITY



## Thru-Hole NMO Mount

### FEATURES AND BENEFITS

- All 3/4 inch Thru-Hole brass/ chrome construction and gold plated contact design ensure the most corrosion resistance and best power transfer available
- 78 Rockwell Hardness brass/ chrome material resists corrosion
- Silver soldered ground lug and contact virtually eliminates RF noise or static
- Multiple cable options are available



Chrome



Brass

# NMO Mounts

RFMAX VEHICULAR MOUNTS ARE THE INDUSTRY STANDARD FOR PERFORMANCE AND DURABILITY



## Magnetic NMO Mount

### FEATURES AND BENEFITS

- Corrosion resistant materials used throughout for high durability and weather resistance
- Neoprene seal for moisture protection
- High 80-lb pull strength will allow antenna to stay put
- Optional rubber boot provides additional protection to mounting surface
- Triple reinforced coax strain relief eliminates cable pull out
- 3-1/4" diameter



Chrome



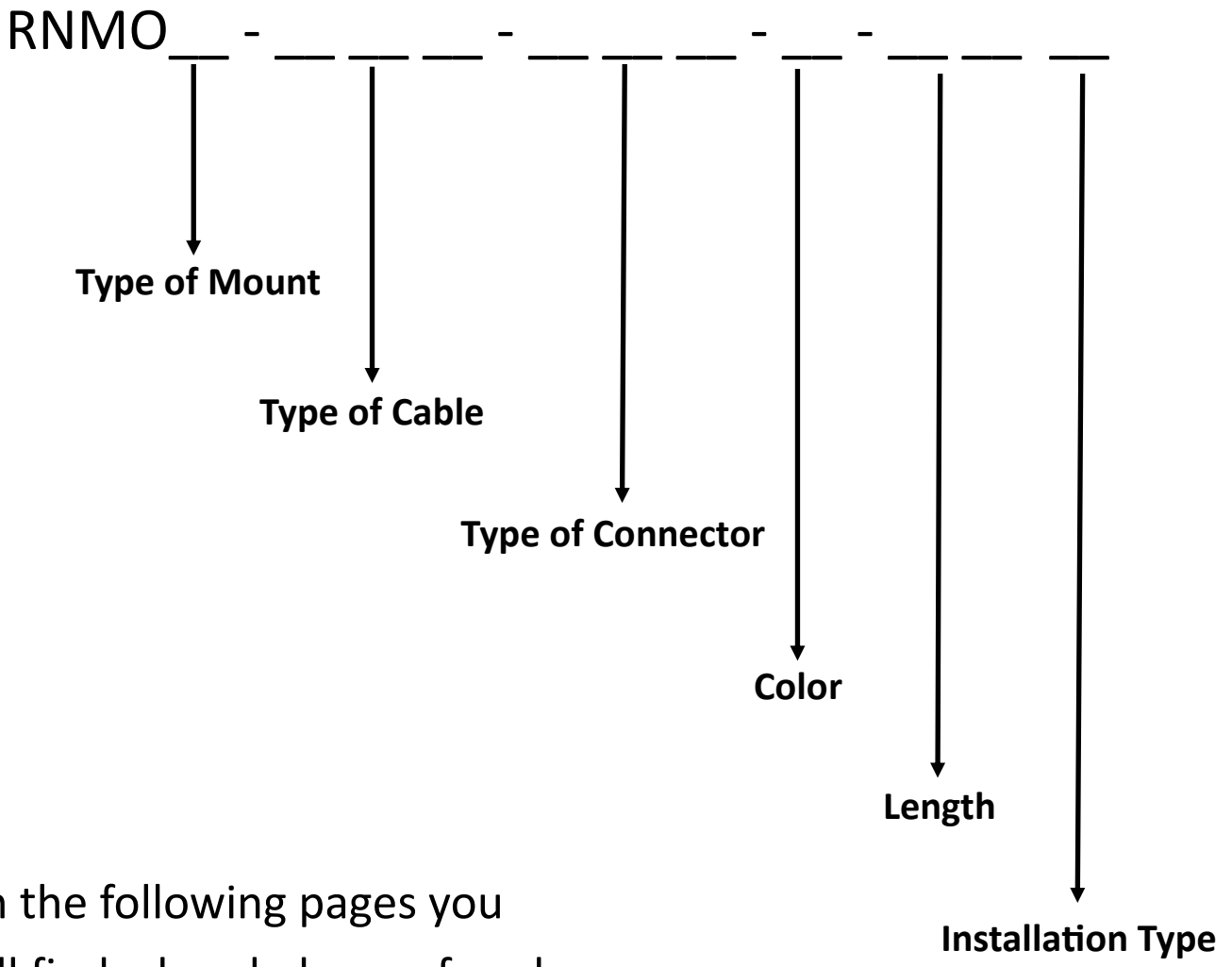
Black

# NMO Mounts



RFMAX VEHICULAR MOUNTS ARE THE INDUSTRY STANDARD FOR PERFORMANCE AND DURABILITY

## Mount Nomenclature



On the following pages you will find a break down of each black space.





# NMO Mounts



RFMAX VEHICULAR MOUNTS ARE THE INDUSTRY STANDARD FOR PERFORMANCE AND DURABILITY

## Mount Nomenclature

<b>Mount Style (in bold)</b>	<b>T</b>	3/4 Inch Thru-Hole	
	<b>M</b>	Magnetic	

<b>Cable Type (in bold)</b>	<b>58U</b>	RG-58U Solid Copper Conductor
	<b>58A</b>	RG-58A/U Stranded Copper Conductor

<b>Connector Style (in bold)</b>	<b>FME</b>	FME Female
	<b>SSM</b>	Standard SMA Male
	<b>SBM</b>	Standard BNC Male
	<b>STM</b>	Standard TNC Male
	<b>SNM</b>	Standard N Male
	<b>SUM</b>	Standard UHF (PL259) Male
	<b>MUM</b>	Standard Mini UHF Male
	<b>NOC</b>	No Connector

**Please note:** If connector starts with an R instead of an S, it means reverse polarity.



# NMO Mounts



RFMAX VEHICULAR MOUNTS ARE THE INDUSTRY STANDARD FOR PERFORMANCE AND DURABILITY

## Mount Nomenclature

<b>Color (in bold)</b>	<b>B</b> (Only Available for Thru-Hole)	Brass
	<b>C</b>	Chrome
	<b>B</b> (Only Available for Magnetic)	Black

<b>Cable Length (in bold)</b>	<b>12</b>	12 Feet
	<b>17</b>	17 Feet

<b>Installation Option (in bold)</b>	<b>Blank</b>	Included but not installed
	<b>I</b>	Installed

RNMOT-58U-SSM-B-17 = 3/4 Inch Brass Thru-Hole with 17 Feet of RG-58U Cable and Standard SMA Connectors Included

# NMO Mounts



RFMAX VEHICULAR MOUNTS ARE THE INDUSTRY STANDARD FOR PERFORMANCE AND DURABILITY

## Attenuation Guide

Cable Type	Attenuation (dB/ 100 ft)		
	150 MHz	450 MHz	900 MHz
RG-58/U	5.40	10.20	16.10
RG-58A/U	6.20	12.50	20.00
RG8X	3.60	6.80	10.70
Solid Teflon Cable	4.80	9.00	13.50

