



Compatible with:  Low Energy   

1D BARCODES, 2D BARCODES

SocketScan S741

Performance 1D/2D Barcode Scanner



The SocketScan S741 is a Bluetooth® LE (Low Energy) wireless barcode scanner designed for fast, reliable scanning of 1D and 2D barcodes on both paper and digital screens. It excels at reading small, dense, and damaged barcodes, making it ideal for retail, point-of-sale, and ID verification applications. With support for OCR formats, including passports and driver's licenses, the S741 integrates easily with iOS, Android, and Windows devices while maintaining stable connections and efficient power usage.



This product uses a Bluetooth LE (Low Energy) connection method that is different from our Bluetooth Classic data readers and **requires a supported software application**. Before purchasing, please confirm your app uses the latest version of Socket Mobile's [CaptureSDK](#) or [contact us](#) to discuss your requirements.

With a scanning range of 2 to 19 inches, the S741 captures barcodes that are often difficult for standard scanners, including tiny labels, worn codes, and low-contrast prints. It supports 1D, 2D, DotCode, and OCR formats such as OCR-A, OCR-B, OCR USC, OCR Passport, and OCR MICR, making it well suited for identity verification and travel document scanning.

For retail environments that require age verification for regulated products like alcohol, cannabis, and tobacco, the S741 serves as a single-device solution. Employees can verify IDs and complete transactions without switching hardware.

The S741 is lightweight, ergonomically designed, and built for all-day use. Bluetooth Low Energy technology helps extend battery life while maintaining stable wireless connections. LED and audible indicators provide clear feedback on battery status, connection, and scanning activity.

For optimal performance, ensure your application supports the latest version of CaptureSDK 2.x.

Available in the following bundles

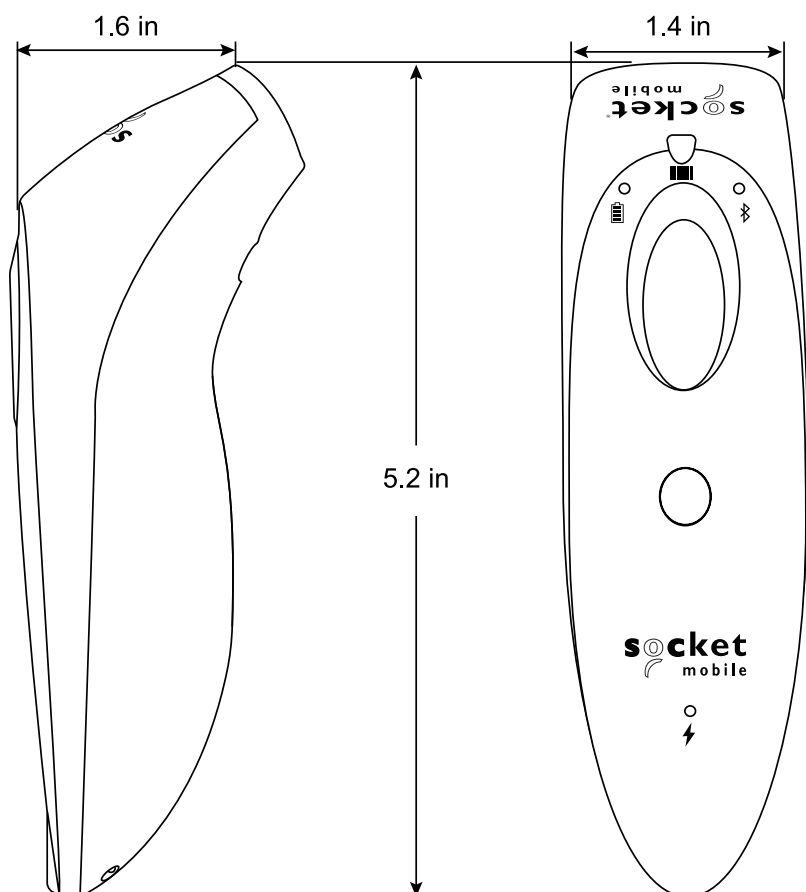
- **S741 + [Charging Dock](#)** – Charge your reader while keeping it available for active use.

Features

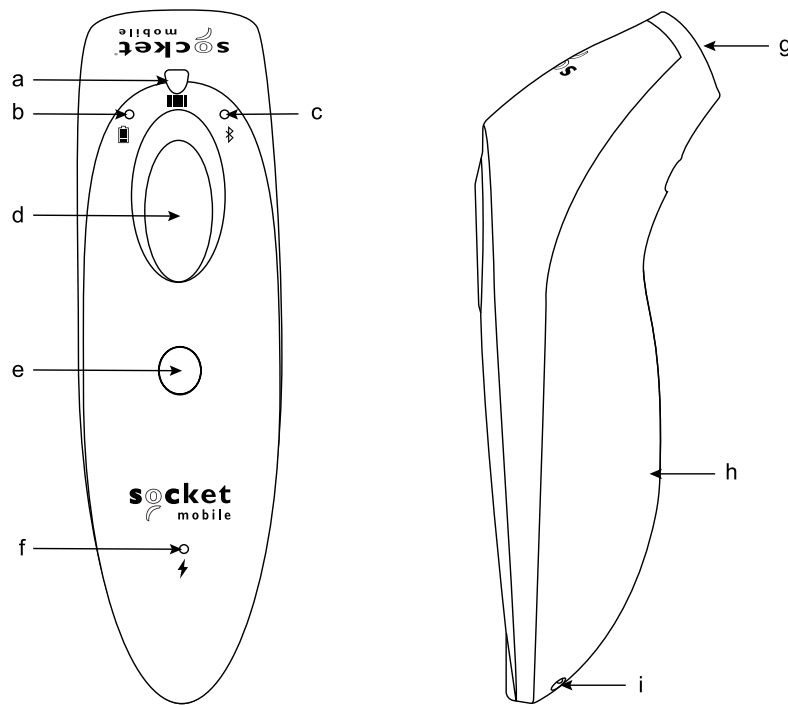
- **Multi-Device Compatibility** — Apple® Certified for iOS devices (iPhone®, iPad®) and compatible with Android® and Windows® 11.
- **Rapid Scanning** — Fast 1D/2D scanning for both printed and on-screen barcodes, featuring omnidirectional capability for intuitive, rapid scanning.
- **Precision Crosshair Laser Aiming** — Provides precise targeting for faster, more accurate barcode capture.
- **Bluetooth LE Support** — Enables dependable, low-power wireless connectivity for extended battery life and fast pairing through Bluetooth Low Energy.
- **Long-Lasting Battery** — Scanner features rechargeable and field-replaceable battery that lasts a full shift.
- **Intuitive User Indicators** — [LED lights](#) that indicate successful data read/write and battery charging status.
- **Audible Feedback** — Multiple [feedback tones](#) to indicate successful data read/write and other important action confirmations.
- **Haptic Feedback** — Vibration alerts confirm successful scans and key actions.

- **Hands-Free Scanning** — Automatically scans barcodes when set to Auto (Presentation) Mode and positioned in a dock or stand.
- **Scanning Trigger Life** — The trigger is rated for 1 million actuations (trigger presses).
- **Ergonomic** — Small, light, and fits perfectly in the hand for comfortable use over extended periods.
- **Easy App Integration** — Socket Mobile's CaptureSDK (version 2.0.29 or higher) enables easy integration in your applications to improve business productivity with fast, efficient, and reliable data transfer over Bluetooth wireless technology. Data reader works out of the box for apps that have already integrated CaptureSDK, with support for Bluetooth LE devices.
- **Developer Support** — Our support team is available to assist with set-up and operation.
- **1-Year Warranty Included** — **Extended warranty** options also available.
- **Designed and Assembled in the USA** — Socket mobile data readers are built at our headquarters in Fremont, CA.

Dimensions



External Control



- a. Barcode LED
- b. Battery LED
- c. Bluetooth LED
- d. Scan button
- e. Power button
- f. Charge indicator LED
- g. Scan window
- h. Battery door
- i. Pins for Charging Dock/Stand

Reading Performance

Default Barcode Symbologies

- **1D Symbologies:** Bookland Ean, Codabar, Code 128, Code 39, Code 93, Ean Jan 13, Ean Jan 8, Gs1 128, Gs1 Databar Expanded, Gs1 Databar Limited, Gs1 Databar Omnidirectional, Interleaved 2 5, Isbt 128 Udi, Trioptic, Upc A, Upc E
- **2D Symbologies:** Aztec, Composite, Data Matrix, Gs1 Data Matrix, Gs1 Qr, Han Xin, Maxicode, Micropdf417, Micro Qr, Pdf417, Qr

Learn how to **enable and disable** data types.

**Supported
Barcode
Symbologies**

- **1D Symbologies:** Code 11
- **Postal Codes:** Australia Post, Japan Postal, Mailmark, Netherlands Kix, Uk Postal, Us Planet, Us Postnet, Usps 4Cb One Intelligent Mail
- **OCR Typeface:** Ocr A, Ocr B

Learn how to [enable and disable](#) data types.

0.6 in. to 20 in. (1.5 to 50.8 cm) Depends on barcode size, symbology, label media

| | | Near | Far |
|-------------------------|-------------------|------------------|--------------------|
| Reading Distance | 5 mil Code 39 | 1.10 in / 2.8 cm | 6.54 in / 16.6 cm |
| | 6.67 mil PDF417 | 0.91 in / 2.3 cm | 7.05 in / 17.9 cm |
| | 10 mil DataMatrix | 1.22 in / 3.1 cm | 7.48 in / 19.0 cm |
| | 13 mil UPC-A | 1.50 in / 3.8 cm | 20.04 in / 50.9 cm |
| | 15 mil QR | 0.59 in / 1.5 cm | 11.06 in / 28.1 cm |

Battery Information

Battery Type 2 rechargeable NiMh (replaceable battery)

Charge Time ~6 Hours

Life of battery 500 charge-discharge cycles

Life per full charge

Standby time:

- Over 20 hours

Active Scan Time:

- 70,000 scans within 9 hours based on two scans every 1 second
- 12,000 scans within 15 hours based on one scan every 4 seconds

Battery weight 54.5g

Percentage lithium N/A

mAh 2000 mAh

Cells per battery 1

| | |
|-----------------------------|-----------------------------------|
| Watts per battery | 2.4 |
| Cell type | AA |
| Chemical composition | Nickel Metal Hydride |
| Lithium content | N/A |
| Voltage | 2.4v |
| Hazmat UN Number | N/A |
| ROHS Compliance | Yes, on the battery & data reader |
| Country of origin | China |
| Commodity code | 8507.50.0000 |

Bluetooth Information

| | |
|---------------------------|---|
| Bluetooth Radio | Bluetooth LE |
| Bluetooth Range | Up to 10 meters (33 ft.), depending on the environment. The range limit is usually due to the Host Device (phone, tablet, or notebook). |
| Bluetooth Profiles | <ul style="list-style-type: none">• Application Mode - requires a compatible app with Socket Mobile CaptureSDK |

Operating Systems



Packaging

Data Reader with Charging Dock (White)

- Data Reader
- Charging Dock (If selected)
- Barrel Jack to USB-A Cable

- Wrist Strap
- Insert

Data Reader with Charging Stand

- Data Reader
- Charging Stand (If selected)
- [USB-C to USB-C Cable](#)
- Wrist Strap
- Insert

Common Uses

- [Retail Solutions](#)
- [Travel & Hospitality Solutions](#)

User Environments

| | |
|------------------------------|--|
| Ambient Light | From 0 to 100 000 lux. From pitch black to direct sunlight. |
| Charging Temperature | Charging in an ambient temperature above 40° C / 100° F may result in charging issues. |
| Drop Specifications | 4 ft. drop to linoleum. |
| Operating Temperature | 0° to 45° C (32° to 113° F) |
| Relative Humidity | 95% at 60° C (140° F) (non-condensing) |
| Storage Temperature | -40° to 70° C (-40° to 158° F) |
| Tumble Specification | 2,500 cycles at 3.3 ft. (1 m) to a metal plate, IEC6008-2-31, IEC60068-2-32 3. |

Certification & Regulatory





BARCODE
FACTORY

Barcode Factory

A Paragon Print Systems Company

2021 Paragon Drive | Erie PA 16510
814.456.8331 | Toll Free: 888.237.8525
info@barcodefactory.com