



B10 and D10 Rugged Tablet Platform

Accessory Guide

One Tablet Platform.
Many Accessories.
Countless Applications.



ACCESSORY GUIDE INSTRUCTIONS

With the versatility of the B10 / D10 rugged tablet platform, there are as many opportunities as there are combinations of accessories and applications.

Use this guide to identify which accessories apply to your needs and assemble a lineup that will work perfectly for your unique workflow requirements.



TABLET OF CONTENTS

- Docking Solutions ----- 04
- Power ----- 11
- Input Devices ----- 16
- Carrying Cases ----- 22
- Other ----- 28

B10 / D10 Rugged Tablet Accessories

Docking Solutions

B10 / D10 Docking Solutions

xDock G2 – Vehicle Dock



Part Numbers:

300071 (xDock G2 Cradle B10, D10)

300070 (G2 xDock+DIM, Cigarette Lighter Adapter)

300008 (Docking Interface Module, xDIM for G2 Dock)

300039 (xDIM (Docking Interface Module) G2 Wiring Kit 5.5mm X 2.5mm Plug)

The xDock G2 protects and secures the tablet under heavy shock and vibration. This rugged, lightweight vehicle cradle stands up to the bumps and turns of the road. At the site, the “Grab and Go” design lets workers quickly undock the tablet with one hand. The optional xDIM G2 Docking Interface Module powers the tablet via a cigarette lighter port or optional hard-wired connection. xDIM G2 has 2 USB 2.0 ports to connect peripheral devices to the tablet. (B10, D10)

Key Features:

- Holds tablet in place under extreme vibration and stress
- Locks in tablet for secure Vehicle Docking, with easy one hand release
- Resistant to water and dust ingress
- 1 year warranty

B10 / D10 Docking Solutions

xDock G2 – Vehicle Dock



Part Numbers:

- 300071 (xDock G2 Cradle B10, D10)
- 300070 (G2 xDock+DIM, Cigarette Lighter Adapter)
- 300008 (Docking Interface Module, xDIM for G2 Dock)
- 300039 (xDIM (Docking Interface Module) G2 Wiring Kit 5.5mm X 2.5mm Plug)

Specifications:

- Water/Dust Resistant Dock: IP55 (Rating applies when tablet is installed and xDIM G2 is in vertical position)
- Shock and Vibration:
 - Minimum Integrity Vibration: Category 24 | Unit is not operating (Tablet with Dock and Vehicle Kit) | MIL-STD-810G, Method 514.6, Procedure I
 - Vehicle Vibration: Unit is operating (Tablet with Dock and Vehicle Kit) | MIL-STD-810G, US Highway Truck and Composite Wheel, Method 514.6C-1 and 514.6C-3
 - Functional Shock: 40 g operating (peak); 11 ms, saw tooth 6+/- shocks x 3-axis=18 shocks | MIL-STD-810G, Method 516.6, Procedure I
- Dimensions (L x W x H): 3.0 x 11.9 x 8.3 in (7.6 x 30.1 x 20.9 cm) (Cradle only)
- Weight: 1.3 lb (0.59 kg) (Cradle only)

B10 / D10 Docking Solutions

xDIM G2 Docking Interface Module



Part Numbers:

- 300071 (xDock G2 Cradle B10, D10)
- 300070 (G2 xDock+DIM, Cigarette Lighter Adapter)
- 300008 (Docking Interface Module, xDIM for G2 Dock)
- 300039 (xDIM (Docking Interface Module) G2 Wiring Kit 5.5mm X 2.5mm Plug)

Purpose-built for harsh, demanding environments, the xDIM G2 docking interface module provides power and connectivity to xDock G2 Vehicle Dock and tablet. (B10, D10)

Key Features:

- Extremely durable resin enclosure
- Water resistant (IP55) for use outdoors or any wet environment
- Docking connector protected by perimeter gasket
- Can be hard wired to vehicles using optional power cable kit
- Cigarette Lighter Adapter included, runs directly on 12 volt system, no need for DC to DC converter
- USB cables can be terminated in dry area of the vehicle
- 2 USB 2.0 ports to connect peripheral devices
- 1 year warranty

B10 / D10 Docking Solutions

xDIM G2 Docking Interface Module



Part Numbers:

- 300071 (xDock G2 Cradle B10, D10)
- 300070 (G2 xDock+DIM, Cigarette Lighter Adapter)
- 300008 (Docking Interface Module, xDIM for G2 Dock)
- 300039 (xDIM (Docking Interface Module) G2 Wiring Kit 5.5mm X 2.5mm Plug)

Specifications:

- **Meet high vibration environments** - MIL-STD-810G Composite Wheel and US Truck
- Operating -20° to 60°C / -4° to 140°F
- DC IN (12-14VDC)
- Dimensions (L x W x H): 1.7 x 5.9 x 1.5 in (4.3 x 15.0 x 3.8 cm)
- Weight: 0.75 lb (0.34 kg)
- 1-year warranty

Tests & Descriptions:

- **Minimum Integrity Vibration**
 - Category 24
 - Unit is not operating (Tablet with Dock and Vehicle Kit)
 - MIL-STD-810G, Method 514.6, Procedure I
- **Vehicle Vibration Testing**
 - Unit is operating (Tablet with Dock and Vehicle Kit)
 - MIL-STD-810G, US Highway Truck, Method 514.6, Procedure I
- **Functional Shock**
 - 40G (peak), 11 ms, saw tooth, 6+/- shocks x 3-axis= 18 shocks
 - 20G operating, 40G not operating (Tablet and Dock)
 - MIL-STD-810G, Method 516.6, Procedure I

B10 / D10 Docking Solutions

Industrial Dock



Part Numbers:

300010 (Industrial Dock with Port Replicator, includes Vehicle Dock G2 and stand)

300009 (Industrial Dock without Port Replicator, includes Vehicle Dock G2 and stand)

The Industrial Dock combines the xDock G2 Vehicle Cradle and a sturdy desk stand to hold your Xplore rugged tablet in place. Perfect for touch applications in the plant, warehouse, or office. The dock provides power to the tablet and has two USB ports for expanded connectivity. (B10, D10)

Adding an optional Dynadock® tower provides 6 USB ports; VGA, HDMI-out, and DVI-I video; Gigabit Ethernet; microphone and headset; and security lock slot. (Dynadock for B10 only)

Key Features:

- Sturdy desk stand holds device in place for touch usage
- Includes xDIM G2 Docking Interface Module, provides power to tablet, and 2 USB ports for attaching keyboard or other peripherals
- Compatible with XSLATE B10, D10
- Available with or without Dynadock® port replicator (port replicator not supported on D10)
- 1 year warranty

B10 / D10 Docking Solutions

Industrial Dock



Part Numbers:

300010 (Industrial Dock with Port Replicator, includes Vehicle Dock G2 and stand)

300009 (Industrial Dock without Port Replicator, includes Vehicle Dock G2 and stand)

Specifications:

INDUSTRIAL DOCK:

- Dimensions (L x W x H): 9.25 x 11.9 x 11.7 in (23.5 x 30.0 x 29.7 cm)
- Weight: 4.8 lb (2.18 kg)

4K PORT REPLICATOR:

- **Front Panel:** 2 "always-on" USB 3.0 ports (sleep & charge) | 3.5mm line-in (microphone/headset) | 3.5mm line-out (headphone/headset/speakers) | power light | USB status light
- **Back Panel:** 2 x USB 3.0 ports (USB 2.0 speeds supported) | 2 x USB 2.0 ports | RJ-45 10/100/1000 Ethernet | Video-out: HDMI (up to 2048x1152), DVI-1 (up to 2048x1280), VGA | 3 x 3.5mm line-out (5.1 surround sound speakers) | USB 3.0 connectors (to dock USB 2.0 port) | DC power in | Security lock slot
- Height 9.25 in (23.5 cm)
- Base (LxW) 4.5 x 5.3 in (11.4 x 13.5 cm)
- Weight: 1.15 lb (0.52 kg)
- Power supply included
- Dynadock® port replicator supported for B10 (not supported on D10)

B10 / D10 Rugged Tablet Accessories

Power

B10 / D10 Power

External 2nd Batteries



Part Numbers:

- 450039 (External Battery Mounting Brackets With Screws)
- 450004 (External 2nd Battery (31.1Whr) – D10 only)
- 450005 (External Large 2nd Battery (59.2Whr) – B10/D10)
- 410013 (Kickstand)
- 450003 (Replacement Internal Battery, 39.2Whr – B10/D10)

For workers who are in the field for long periods of time, external batteries extend the battery life of XSLATE B10 or D10 tablets up to 20 hours. The slim batteries attach to the back of the tablet in a "backpack" style. These external 2nd batteries are hot-swappable. (B10, D10)

Key Features:

- **Large 59.2 Whr 2nd external battery** extends battery life up to 20 hours. Works with B10 and D10 tablets.
- **31.1 Whr 2nd external battery** extends battery life up to 14 hours. Works with D10 tablets (not compatible with B10)
- Hot swappable

Specifications:

- Requires external battery mounting brackets or kickstand with brackets
- 59.2 Whr battery 0.95 lb (0.44 kg), 0.77 in thick (1.96 cm)
- 31.1 Whr battery 0.59 lb (0.27 kg), 0.46 in thick (1.18 cm) - D10 Only
- 1 year warranty

B10 / D10 Power

Kickstand with Expansion Battery Bracket



Part Numbers:

410013 (Kickstand, Battery Brackets)

Get the convenience of a kickstand to hold your Xplore tablet upright for easy reading and touch while in the field. When the worker starts walking, the kickstand folds away. An integrated battery bracket holds a second battery to extend tablet battery life up to 20 hours. The bracket/kickstand does not need to be removed when docking in the Vehicle, Office, or Industrial docks. Can also be used in combination with the top handle with stylus accessory. (B10, D10)

Key Features:

- Holds tablet upright for easy reading and touch interactions
- Compatible with all Bobcat & XSLATE docks
- Easily stowed for convenience when mobile
- Excludes standard onboard stylus
- Compatible with top handle and top handle stylus option
- 90 day warranty

Specifications:

- Weight: 0.22 lb (0.10 kg)
- Viewing angle 25° from vertical

Other Accessory Compatibility:

- Compatible with: 2nd Batteries, Keyboard, Office Dock, Vehicle Dock, Industrial Dock
- Not Compatible with: NFC Module, Smart Card / CAC Module, Barcode Scanner Module, and G2 Rotating Hand strap, Kickstrap, Locking Kickstand, Onboard Stylist

B10 / D10 Power Battery Charging Stands



6-bay Charger



2-bay Charger



Part Numbers:

- 450009 (Cadex 2 Bay Battery Charger (B10,D10))
- 450008 (Cadex 6 Bay Battery Charger (B10,D10))
- 450043 (US Power Adapter Cord C13 Type)
- 450044 (EU Power Adapter Cord EU C13 Type)
- 450045 (UK Power Adapter Cord C13 Type)
- 450046 (AU Power Adapter Cord C13 Type)

Ensure maximum power and uptime for your crew or fleet. These rugged chargers keep batteries charged, safe, and conditioned for maximum performance. With 2-bay and 6-bay models, batteries in all bays are charged simultaneously. Charging time is approximately 6 hours for large 59.2 Whr batteries and 3 hours for 31.08 Whr batteries. (B10, D10)

Key Features:

- Rugged design stands up to the critical demands of industrial use
- Choice of 2-bay or 6-bay model
- Simultaneous charging of all bays
- Charging times: 31.08 Whr battery – 3 hr., 59.2 Whr battery – 6 hr
- A conditioning button conditions and calibrates batteries on demand, and a reverse-pulse charging prolongs battery life
- Redundant algorithms provide safety for defective batteries; protects both the batteries and the charger
- When charging in cold temperatures, the charger applies a gentle trickle charge to warm up the battery, then switches to fast-charge at operating temperature
- Charger wakes up seemingly dead lithium-ion packs by applying charge pulses to reactivate the safety circuit; a full charge commences when the battery reaches a safe charging voltage

Specifications:

- Dimensions (LxWxH) & Weight
- 2-bay model: 6.0 x 8.8 x 8.5 in (15.3 x 22.3 x 21.6 cm); 3.6 lb (1.64 kg)
- 6-bay model: 9.5 x 17.5 x 9.5 in (24.2 x 44.5 x 24.2 cm); 5.5 lb (2.50 kg)
- Power cord not included
- 1-year warranty

B10 / D10 Power Power Adapter



Power Adapter



Power cord

Part Numbers:

- 450018 (US Power Adapter)
- 450043 (US Power Cord C13 Type)
- 450044 (EU Power Cord EU C13 Type)
- 450045 (UK Power Cord C13 Type)
- 450046 (AU Power Cord C13 Type)

Avoid forgetting your AC Power Adapter and power cord when traveling or working from home! A second AC Power Pack provides the convenience of working from multiple locations without the fuss of packing up the power sources for your rugged tablet PC. The AC Power Pack is great for travel.

B10 / D10 Rugged Tablet Accessories

Input Devices

B10 / D10 Input Devices

Companion Keyboard



Part Numbers:

420008 (Companion Keyboard – US)

420085 (Companion Keyboard – FR)

Keyboard in closed position via magnets, protecting display glass

Submitting reports from the vehicle or job site is a snap with this full travel, tactile feedback, spill-resistant tablet keyboard. The touchpad supports two- and three-finger gestures. The Companion Keyboard closes over the display glass like a laptop. When it's time to snap your Xplore tablet into a dock, the keyboard detaches easily. (B10, D10)

Key Features:

- Keyboard completes the popular 2-in-1 form factor allowing the best of both tablet and notebook
- Easily removable keyboard when docking
- Full travel tactile feedback keyboard
- No need to charge the keyboard; it's powered by the tablet
- Spill resistant
- Closes to cover display glass for protection and convenience
- Not compatible with Rotating Hand Strap
- 1 year warranty

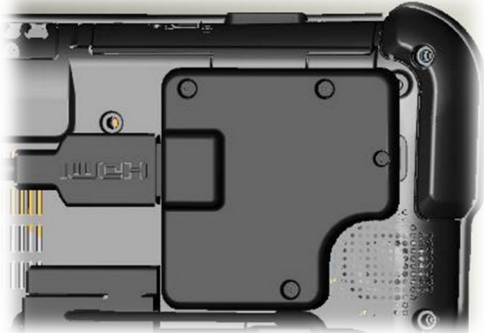
Specifications:

- Weight 0.92 lb (0.42 kg)
- 10.7 x 6.6 x 0.32 in (27.2 x 16.8 x 0.8 cm)

B10 / D10 Input Devices

Optional Modules:

Barcode, Smart Card / CAC, HDMI-In



HDMI-In Module



Barcode Reader Module

CAC / Smart Card Reader Module



Note: Must be ordered at the time of tablet purchase (factory installed)

Part Numbers:

D10: 200685, 200585, 200526, 200592, 200246, 200759, 200714

B10: 200598, 200599, 200600, 200601, 200602, 200102, 200105, 200263, 200264, 200912, 200836, 200840, 200913, 200951

Factory-integrated options extend your Xplore rugged tablet's capabilities. Choose a 1D/2D barcode scanner or CAC/Smart card reader or HDMI-in.

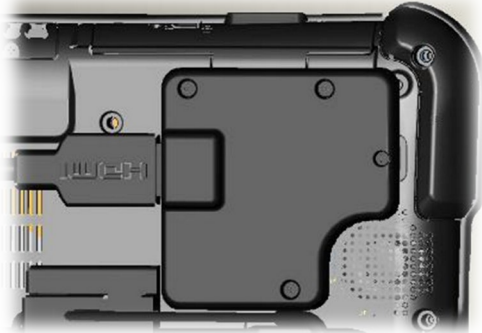
Key Features:

- 1D/2D Barcode Scanner (B10, D10) provides easy point-and-shoot scanning of target and allows true barcode optimization not found in cameras converted to barcode scanning use.
- CAC/Smart Card Reader (B10) is FIPS 140-2 compliant – ideal for government, military, and other security-conscious organizations.
- HDMI-In (B10, D10) enables telecommunications service technicians to test the TV signal.
- Barcode, CAC/Smartcard, and HDMI-in option modules are factory-integrated into the back of the tablet.

B10 / D10 Input Devices

Optional Modules:

Barcode, Smart Card / CAC, HDMI-In



HDMI-In Module



Barcode Reader Module

CAC / Smart Card Reader Module



Note: Must be ordered at the time of tablet purchase (factory installed)

Part Numbers:

D10: 200685, 200585, 200526, 200592, 200246, 200759, 200714

B10: 200598, 200599, 200600, 200601, 200602, 200102, 200105, 200263, 200264, 200912, 200836, 200840, 200913, 200951

Specifications:

1D/2D Barcode Scanner

- Supports Omnidirectional 1D and 2D Barcodes
 - 60 scans/s (2D)
 - 200 scans/s (1D)
- Scan angle: 38.9° horizontal, 25.4° vertical
- Optical resolution: 752 (H) x 480 (V) pixels
- Gray levels: 256
- Print contrast: down to 25%
- Versions: Standard range and high density
- 1D Symbolologies supported: EAN/UPC, GS1 Databar (limited expanded & omni-directional), RSS, Code 39, Code 128, UCC/EAN 128, ISBN, ISBT, Interleaved/Matrix/Industrial and Standard 2 of 5, Codabar, Code 93/93i, Code 11, MSI, Plessey, Telepen, postal codes (Australian Post, BPO, Canada Post, Dutch Post, Japan Post, PostNet, Sweden Post)
- 2D Symbolologies supported: Data Matrix, PDF417, Micro PDF 417, Codablock Maxicode, QR, Aztec GS1 composite codes
- Compatible with Bobcat, XSLATE B10, and XSLATE D10
- Not Compatible with: CAC/Smartcard, HDMI-In

CAC/Smartcard Reader

- Supports the following asynchronous and synchronous smart card interfaces:
 - Complies with all sections of ISO7816 (both T=0 and T=1 asynchronous card supported)
 - EMV2000 (EMV 4.1) compatible
 - Complies with PC Smart Card industry standard: PC/SC1.0 and PC/SC 2.0
 - Supports 2-wire, 3-wire, or I2C Interface synchronous card
 - Atmel: AT88sc1608, AT88sc153
 - Atmel: AT24c128, AT24c256
 - ST: M14C16, M14C04
 - Siemens 2-wire link protocol: sle4432/42
 - Siemens serial 3-wire bus: sle4418/28
 - Configurable hardware auto error detection
 - Supply Voltage for Card: 5V, 3V, 1.8V
- Supports Class A/Class B/Class C operating class as defined in ISO/IEC 7816-3:1997 and ISO/IEC 7816-3:1997/Amd 1:2002.
- Compatible with XSLATE B10 only
- Not Compatible with: Kickstand, Rotating Hand Strap, HDMI-In, Barcode Scanner

HDMI-In

- Compatible with XSLATE B10, XSLATE D10
- Not Compatible with: Rotating Hand Strap, CAC/Smartcard, or Barcode Scanner

B10 / D10 Input Devices

Digitizer Pens



Short Active Pen with Tether:

Designed to fit in the pen barn on the side of the B10-Series tablet, the compact Digitizer Pen provides precision and comfort to write and annotate on your B10 tablet. Attached tether keeps the pen and tablet together. Write on your tablet PC with the ease of standard paper and pencil by using the Digitizer Pen. Don't find yourself without your pen - order an additional one and take with you. **Part Number:** 440037 (Pen) and 440042 (stylus tip replacement kit)

Short Passive Pen with Tether:

Designed to fit in the pen garage on the side of the XSLATE and XBOOK B10/D10 tablets, the compact Passive Pen provides precision and comfort to write and annotate on your B10/D10 tablet. **Part Number:** 440007

B10 / D10 Input Devices

USB Keyboard



Part Numbers:
420009

This durable USB Keyboard by iKey easily connects to any Xplore Tablet PC providing a functioning 104/105 key typing experience for all desktop and word-processing environments. With its ergonomically designed wrist pad and integrated touch pad, the keyboard provides a comfortable user experience in a compact size.

Key Features:

- Compact, lightweight, slim and durable design makes this keyboard easy to travel with or use at your desk
- Integrated touch pad pointing device and mouse buttons
- 88/89 keys keyboard with embedded numeric keypad and 12 dedicated function keys
- Elegant wrist pad for comfortable support and rest
- 2 programmable buttons
- Full functions of 104/105 key enhanced layout

Color: Black

Dimensions: 289mm(L) x 227mm(W) x 27mm(H)

Weight: 0.72 kg

Warranty: 90 days

B10 / D10 Rugged Tablet Accessories

Carrying Cases

B10 / D10 Carrying Cases

Adjustable Shoulder Strap



Part Numbers:

400005 (Adjustable Shoulder Strap, Requires Top Handle)

The shoulder strap attaches to optional top handle accessories for D10 and B10 tablets. Ideal for hands-free long distance carrying. The shoulder strap is adjustable for height. The wide strap enhances comfort. Easily attached and detached via clips. (B10, D10)

Key Features:

- Makes carrying the tablet a breeze
- Allows use of both hands while carrying the tablet
- Requires top handle for attachment
- 90 day warranty

Specifications:

- Adjustable to maximum length of 4.1 ft (1.28 m)
- Strap width 1.5 in (3.8 cm)

B10 / D10 Carrying Cases

Top Handle with Active Pen/Tether/Housing (B10)



Part Numbers:

410012 (B10 Top Handle, Long Wacom Pen And Tether)

This integrated handle attaches to the top of the B10, allowing users to carry the tablet without the worry of dropping it. The ridged handle is made with a smooth, hard rubber, providing a firm yet comfortable grip. The Wacom-compatible active pen yields direct screen response and natural stroke dynamics. The pen is tethered to the handle and stores away in a hidden slot. A detachable shoulder strap, available separately, attaches to the handle for carrying long distances and freeing up hands. (B10)

Key Features:

- Simplifies transport of tablet
- Smooth, rubber handle for excellent grip, with discreet built-in slot for stylus
- Optional shoulder strap, adjustable for any height, is easily attached and detached via clips
- Long active pen
- 90 day warranty

Note: Not compatible with Rotating Hand Strap

B10 / D10 Carrying Cases

Top Handle with Passive Pen/Tether/Housing (D10)



Part Numbers:

410008 (D10 Top Handle, Soft Touch Passive Pen, Tether And Pen Housing)

This integrated handle – which attaches to the top of the tablet – allows users to carry the tablet without the worry of dropping it. The ridged handle is made with a smooth, hard rubber, providing maximum grip without sacrificing comfort. A thin stylus is tethered to the handle and easily stores away in a hidden slot. A detachable shoulder strap, available separately, attaches to the handle for carrying long distances and freeing up hands. (D10)

Key Features:

- Simplifies transport of tablet
- Smooth, rubber handle for excellent grip, with discreet built-in slot for stylus
- Optional shoulder strap, adjustable for any height, is easily attached and detached via clips
- OR: Choose top handle with integrated metal mesh, smaller yip pen, tether and pen housing.
- 90-day warranty

Note: Not compatible with Rotating Hand Strap

B10 / D10 Carrying Cases

KickStrap



Part Numbers:

410014 (KickStrap, Combo Kickstand & Rotating Hand Strap)

Combined Kickstand and Rotating Hand Strap for XSLATE B10 and XSLATE D10 Rugged Tablet PCs providing workflow comfort in the field or at the desktop. Integrated Kickstand closes tightly when tablet is mobile, enabling access to the Rotating Handstrap which can be adjusted for hand size as well as unique rotation angle. **Note:** Additional SKU available without the rotating hand strap which is called the "Locking Kickstand".

Key Features:

KICKSTAND:

- Rigid design provides great ergonomics for reading and touching the tablet on flat surfaces

ROTATING HAND STRAP:

- Easy to use while walking
- Adjustable to hand size
- Detents help lock desired rotation angle
- Great for Distribution, Transportation

Other Accessory Compatibility:

- Compatible with Companion Keyboard, Top Handle, Option modules (BC, CAC/SC, NFC)
- Not Compatible with 2nd battery options, Kickstand, Rotating Hand Strap
- Additional SKU is available without the rotating hand strap which is called the "Locking Kickstand"
- Compatible with XSLATE B10, XSLATE D10, and Bobcat Tablets
- 90 day warranty

B10 / D10 Carrying Cases

G2 Locking Kickstand



This kickstand locks in place when deployed to hold the tablet very securely for hands free use on a desk or any flat surface. It is compatible with the tablet option modules like the Barcode scanner, Smartcard, and NFC modules, but not compatible with the 2nd battery options, Kickstand, and Rotating Hand Strap.

90 day limited warranty

Compatible with: XSLATE B10 and XSLATE D10



Part Numbers:
300057 (G2 Locking Kickstand)

B10 / D10 Rugged Tablet Accessories

Other

B10 / D10 Other Accessories

Kensington Lock Bracket



Enables you to secure your tablet to a fixed object with a standard Kensington cable lock. (B10)

Key Features:

- Attaches to rear of XSLATE B10 tablet
- **Note:** XSLATE D10 come standard with a Kensington® cable lock slot
- Used in combination with Top Handle (required)
- 1 year warranty



Part Number:
300096 (Kensington Lock Bracket, B10)

B10 / D10 Other Accessories

Shatter-Resistant Screen Protector Film



The B10, D10 Shatter-Resistant Screen Protector Film is an optically clear, thin protective film with a coating designed to reduce reflections and give a clear, sharp display view even in brightly lit conditions. The screen works with touch screen and digitizer pen displays further protecting the tablet display from everyday scratches.

Part Number:
400020

B10 / D10 Other Accessories

Screen Cleaning Cloth



Keep your display clean and smudge free with an approved wiping cloth. These cloths are especially designed to remove dirt and skin oils without damaging the display surface.

Part Numbers:
400000 (Screen Cleaning Cloth)



Contact

Zebra Technologies Corporation
3 Overlook Point
Lincolnshire, IL 60069

www.zebra.com
www.xplorettech.com